

4 METAL FRAMING



Channels and Combinations

CHANNELS

FINISH : HOT-DIP GALVANIZED
 SLOT SIZE : 10mm X 28mm @ 50mm CENTRES
 OR 14mm X 28mm @50mm CENTRES

	P1000 (5m)	P1000 (6m)	F3300 (6m)	F1000T (SLOTTED) (5m)
DESCRIPTION				
STRAIGHT	924.00	1 111.00	784.30	1 056.00

COMBINATIONS

FINISH : HOT-DIP GALVANIZED STANDARD LENGTH 6m

DESCRIPTION	P1001 *	F1001A	F1001B *	F1001C *
STRAIGHT 6m	2 568.50	2568.50	2 568.50	2 568.50
DESCRIPTION	F1001D *	F3301 *	F1001-C41 *	OTHER COMBINATIONS *
STRAIGHT 6m	2 568.50	1 672.00	5 225.00	PRICES ON REQUEST

* Non stock items

Concrete Insert Channels

FINISH : HOT-DIP GALVANIZED

<table border="1"> <tr><td>PRODUCT</td></tr> <tr><td>F41 (6000mm)</td></tr> <tr><td>UNIT PRICE</td></tr> <tr><td>1 885.40</td></tr> </table>	PRODUCT	F41 (6000mm)	UNIT PRICE	1 885.40	<table border="1"> <tr><td>PRODUCT</td></tr> <tr><td>F21 (6000mm)</td></tr> <tr><td>UNIT PRICE</td></tr> <tr><td>1 885.40</td></tr> </table>	PRODUCT	F21 (6000mm)	UNIT PRICE	1 885.40
PRODUCT									
F41 (6000mm)									
UNIT PRICE									
1 885.40									
PRODUCT									
F21 (6000mm)									
UNIT PRICE									
1 885.40									
F41 STUD ANCHOR CHANNEL X 6m	F21 STUD ANCHOR CHANNEL X 6m								

ALL CONCRETE INSERTS ARE MADE TO ORDER

4 METAL FRAMING



General Fittings





POST BASES

FINISH : HOT-DIP GALVANIZED

DESCRIPTION	UNIT RATE
 F2072/S1	63.00
 F2073/A	133.00
 F2858	187.00







BEAM CLAMPS

FINISH : HOT-DIP GALVANIZED

DESCRIPTION	UNIT RATE
 F1271 C/W M12 CONE POINT SCREW. REQUIRES 1X M12 SPRING NUT & M12 HEX SET SCREW	61.00
 F1272 C/W M10 CONE POINT SCREW.	29.00
 F2785	81.32
 F2786	86.43









'U' FITTINGS

FINISH : HOT-DIP GALVANIZED

DESCRIPTION	UNIT RATE	DESCRIPTION	UNIT RATE	DESCRIPTION	UNIT RATE
 F1377	108.00	 F4047	31.00	 F2346	116.00
 F4377	94.00	 F1047	32.00	 F1737	43.00

FLAT FITTINGS

FINISH : HOT-DIP GALVANIZED

DESCRIPTION	UNIT RATE	DESCRIPTION	UNIT RATE	DESCRIPTION	UNIT RATE
 F1062,3 or 4	7.00	 F1031	38.00	 F1036	29.00
* PLEASE NOTE : F1062 = M8, F1063 = M10 & F1064 = M12		 F1028	63.00	 F1066	20.00
 F1065	13.00	 F1067	28.00	 F1358	70.00



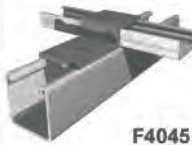

4 METAL FRAMING



General Fittings

'Z' FITTINGS





FINISH : HOT-DIP GALVANIZED

DESCRIPTION	UNIT RATE	DESCRIPTION	UNIT RATE	DESCRIPTION	UNIT RATE	DESCRIPTION	UNIT RATE
 F1045	32.00	 FZ01	11.00	 F4045	16.00	 FZ04	18.00

ANGULAR FITTINGS

FINISH : HOT-DIP GALVANIZED

DESCRIPTION	UNIT RATE	DESCRIPTION	UNIT RATE	DESCRIPTION	UNIT RATE
 F1026	14.00	 F1359	61.00	 F2484 (REPLACES F1331 & F1332)	48.00
 F1035	53.00	 F1068	13.00	 F1130 & F1131	92.00 F1130 122.00 F1131
 F1186-45	25.00	 F1325	25.00	 F1326	21.00
 F1033	41.00	 F1546-45	23.00	 F1713	66.00

DESCRIPTION	UNIT RATE	DESCRIPTION	UNIT RATE
 F1074	28.00	 F1749	18.00
 F1747	26.00	 F1034	53.00

Price are ex-works, exclude VAT and are subject to change without notice. E& OE . Made to Order goods are non-refundable. Goods returned are subject to 15% handling charge and quality approval. Effective date 01 September 2014

4 METAL FRAMING



Cantilever Brackets

F254 - SINGLE

STANDARD FINISH	HOT-DIP GALVANIZED						
LENGTH (mm)	150	200	250	350	450	550	650
UNIT PRICE	79.00	83.00	114.00	118.00	136.00	153.00	176.00



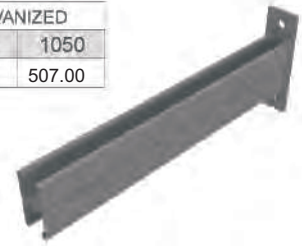
F254S - STAGGERED

STANDARD FINISH	HOT-DIP GALVANIZED		
LENGTH (mm) A	650	850	1050
LENGTH (mm) B	250	300	350
UNIT PRICE	259.00	308.00	362.00



F254D - DOUBLE

STANDARD FINISH	HOT-DIP GALVANIZED		
LENGTH (mm)	650	850	1050
UNIT PRICE	340.00	401.00	507.00



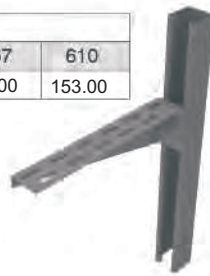
F223 - WRAP AROUND

STANDARD FINISH	HOT-DIP GALVANIZED						
LENGTH (mm)	150	200	250	350	450	550	650
FIXING HOLES	1			2			
UNIT PRICE	85.00	93.00	105.00	123.00	143.00	162.00	174.00



F249 - TRAY ARMS

STANDARD FINISH	PRE-GALVANIZED					
LENGTH (mm)	152	229	305	381	457	610
UNIT PRICE	41.00	53.00	67.00	81.00	95.00	153.00



MANHOLE BRACKET 914mm

STANDARD FINISH	H.D.G
LENGTH (mm)	914mm
UNIT PRICE	259.00



CONDENSER SET

LENGTH	UNIT PRICE	
	HDG	PLAIN+EPC
450mm	366.00	437.00
650mm	437.00	439.00

ONE CONDENSER SET COMPRISES:
 2 x Slotted Condenser Arms
 2 x 300mm F1000 Channels cw
 2 x Ø 10mm holes pre-punched each.
 4 x M10 Spring nut
 4 x M10 x 30 Hex Set Screw

