

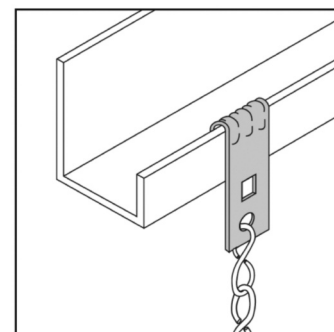
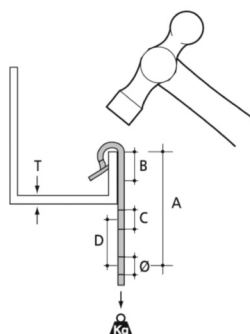
6 OVERHEAD SUPPORT

STRUTFAST

Overhead for Chain and Wire Support

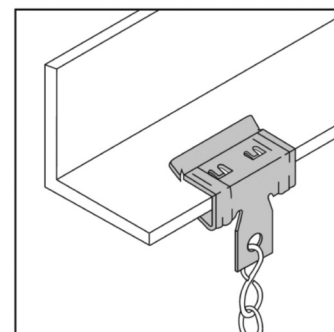
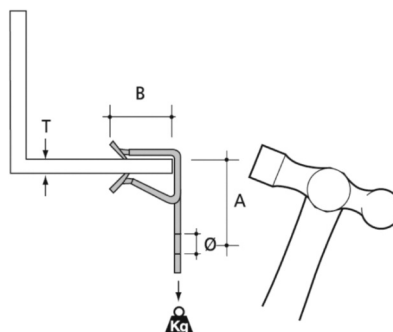
E-Klips®

PURLIN CLIP FOR CHAIN AND WIRE



PRODUCT RANGE	T (mm)	Ø (mm)	A (mm)	B (mm)	C (mm)	D (mm)	LOAD (KG)	MATERIAL FINISH	QTY PER BOX	UNIT PRICE
AV-155	1.5-5	6.5	42	14	6.5	12	72	F8	100	8.00

GIRDER CLIP FOR CHAIN AND WIRE



PRODUCT RANGE	T (mm)	Ø (mm)	A (mm)	B (mm)	LOAD (KG)	MATERIAL FINISH	QTY PER BOX	UNIT PRICE
AH-153	1.5-3	6.5	16	12.5	72	F8	100	7.76
AH-38	3-8	6.5	18	20.3	90	F8	100	8.80
AH-814	8-14	6.5	26	20.3	90	F8	100	9.20
AH-1420	14-20	6.5	30	26.6	90	F8	100	9.83