

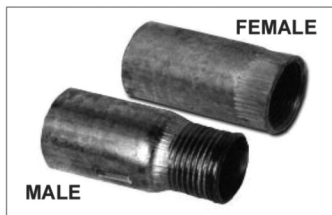
8 TUBE AND CONDUIT



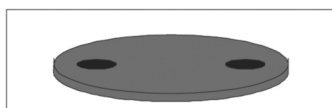
Conduit




STRAIGHT LENGTH X 4M	
SIZE	UNIT RATE
20mm	201.25
25mm	255.30
32mm	301.30
40mm	432.98
50mm	530.73



FEMALE/ MALE ADAPTOR	
SIZE	UNIT RATE
20mm	17.83
25mm	23.00
32mm	33.93
40mm	122.76
50mm	146.05




UNIT RATE
6.21



90 DEG BEND	
SIZE	UNIT RATE
20mm	62.33
25mm	64.86
32mm	100.97
40mm	125.35
50mm	184.35



SOLID COUPLING	
SIZE	UNIT RATE
20mm	9.20
25mm	11.50
32mm	30.30
40mm	74.52
50mm	85.10




2 WAY THROUGH (NO LID)	
SIZE	UNIT RATE
20mm	108.10
25mm	109.77



3 WAY SIDE ENTRY (NO LID)	
SIZE	UNIT RATE
20mm	129.72
25mm	132.02




HOSPITAL SADDLE	
SIZE	UNIT RATE
20mm	11.85
25mm	14.38
32mm	34.50




1 WAY SIDE ENTRY (NO LID)	
SIZE	UNIT RATE
20mm	86.83
25mm	87.40



2 WAY ANGLE (NO LID)	
SIZE	UNIT RATE
20mm	108.10
25mm	109.77



4 WAY (NO LID)	
SIZE	UNIT RATE
20mm	151.34
25mm	154.62



SADDLE	
SIZE	UNIT RATE
20mm	1.73
25mm	3.54
32mm	6.90
40mm	7.48
50mm	11.85

BLACK STEEL & PVC CONDUIT PRICES AVAILABLE ON REQUEST

Price are ex-works, exclude VAT and are subject to change without notice. E & OE • Made to Order goods are non-returnable. Goods returned are subject to 15% handling charge and quality approval • Effective date: 01 July 2013