

Strutfast provides the construction industry with practical solutions to Cable Management across the entire spectrum of quality requirements.

From the smallest Service Reticulation System in an office, to the most intricate Service Reticulation System in both commercial and industrial applications.

This is achieved by means of the supply of quality branded products and service to customers within a networking structure.



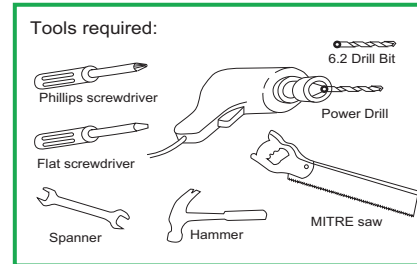
1316 The Clubhouse Straight
Maraisburg 1709
P O Box 1000 Floridahills 1716
Tel: (011) 473 1212
Fax: (011) 473 1199
E-mail: sales@strutfast.co.za

99 Foundry Road
Silvertondale
Pretoria
Tel: (012) 804 9393
Fax: (012) 804 3305
E-mail: ptasales@strutfast.co.za

0860strut1
www.strutfast.co.za



Space Dock Fitting Instructions



WARNING

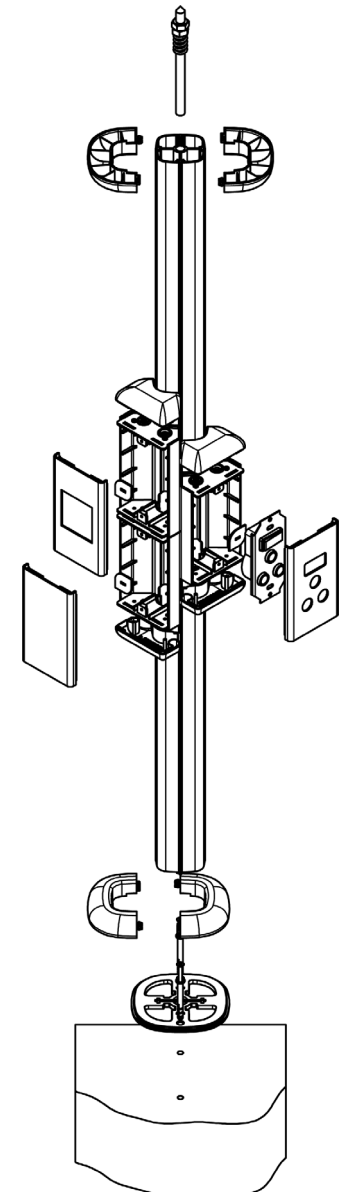
THE SPACE DOCK POLE IS A NON LOAD-BEARING STRUCTURE, NOT TO BE USED AS A ROOF, NOR CEILING SUPPORT. NOT TO BE USED AS A HAND RAIL OR HOLDING AID. ALL SOCKETRY MUST BE EARTHED INDEPENDENTLY, AS THE ACCESSORY SKELETON IS PVC AND WILL NOT MAKE AN EARTH CONTACT.

Make sure you have all the necessary components to assemble the Space Dock.

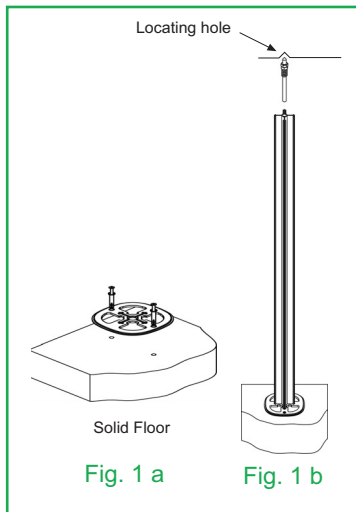
COMPONENT CHECK LIST

- 1 x Pole core
- 4 x Covers
- 4 x Flange sections
- 1 x Jack assembly
- 2 x Fisher plugs
- 1 x Location pad

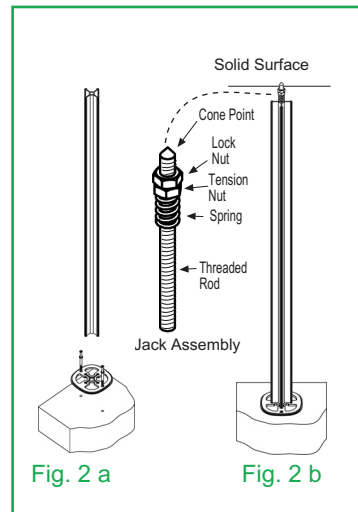
Please note the socket outlets are supplied separately according to client's requirements.



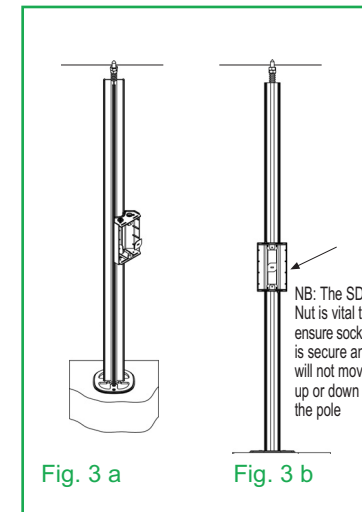
INSTALLING THE SPACE DOCK



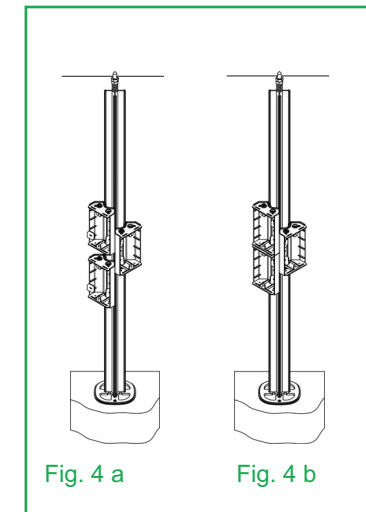
1 a. Drill two holes and fix location pad to floor using fisher plugs and screws supplied. 1 b. Drill locating hole in ceiling above Space Dock Core. Position and insert jack assembly into Space Dock Core.



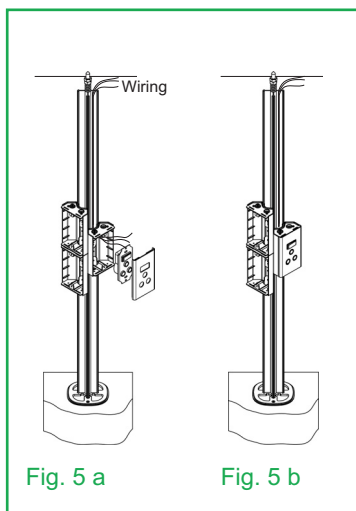
2 Turn Tension Nut clockwise until Cone Point is in the locating hole and the spring is under compression. Turn the Lock Nut into the Tension Nut to secure the Core.



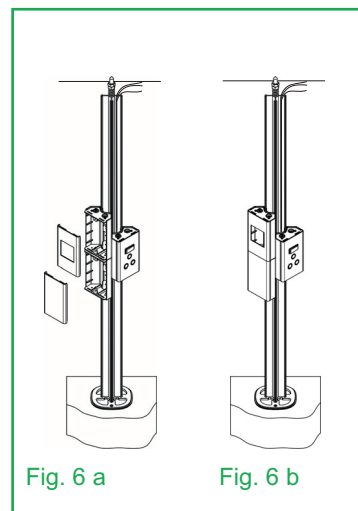
3 Position socket outlet at required height on pole core and fix by twisting SD Nut into place. See Fig. 3 b.



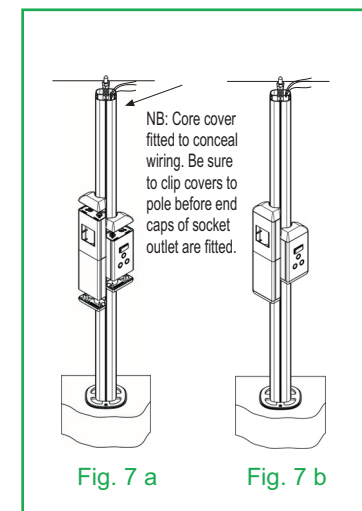
4 If multiple socket outlets are required, follow step 3 to secure all the outlets to the pole. NB: Socket outlets can be stacked as shown and simply clip together as seen in Fig. 4 b.



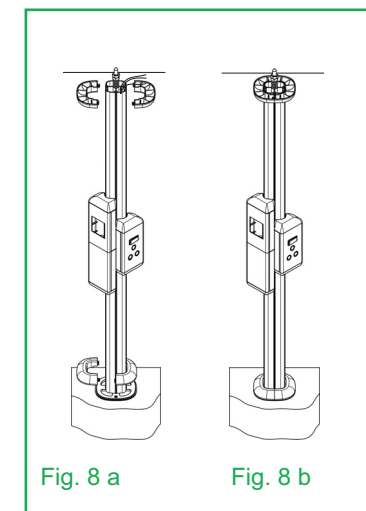
5 a. Pull wiring down into the relevant channels of pole core and wire required sockets or network outlets positioned around the pole. Secure cover to outlet box. See Fig. 5 b.



6 Repeat steps in Fig. 5 a and b to other sockets positioned on the pole.



7 Fit core covers onto aluminium core, cut covers where necessary to accommodate socket outlet boxes. Clip end caps over top and bottom of socket outlets to neaten off installation.



8 Position the four flange sections floor and ceiling end of Space Dock Pole and clip together and slide into position as shown in Fig. 8 b to complete installation.