

STRUTFAST

Cable Management Solutions



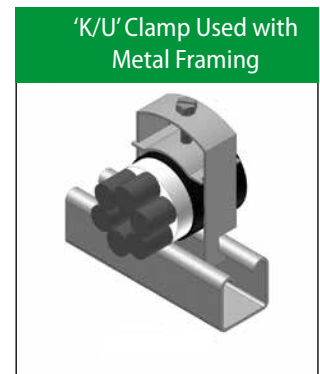
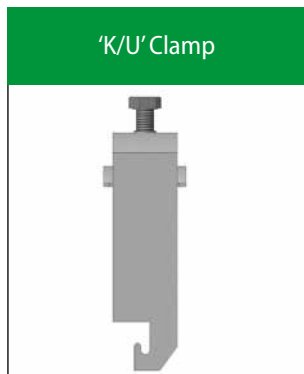
**CLAMPS,
FASTENERS
& ANCHORS**

Clamps

Pipe Clamps

'K/U' CABLE CLAMP	CABLE OR PIPE DIA mm
K/U2026	14
K/U2027	16
K/U2028	20
K/U2030	26
K/U2032	32
K/U2034	40
K/U2036	46
K/U2038	52
K/U2040	58
K/U2042	66
K/U2043	70
K/U2044	78

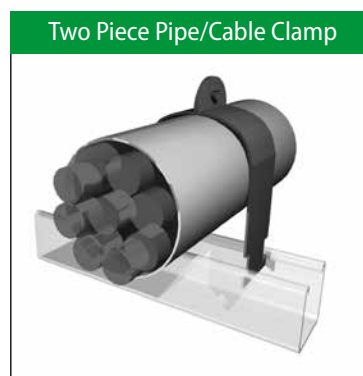
Finish: Hot Dip Galvanised
Fasteners: Yellow Passivated



Two Piece Pipe/Cable Clamps

PRODUCT RANGE	CABLE OR PIPE DIA mm	HEX SET SCREW SIZE (& NUT)
F2025	7.5-14	M6 x 20mm
F1108	7.13	M6 x 20mm
F2026	11.5-13.5	M6 x 20mm
F1108A	10.5-15	M6 x 20mm
F2027	13-17	M6 x 20mm
F1109	15-18	M6 x 20mm
F2028	16.5-19.5	M6 x 20mm
F1111	19-23	M6 x 20mm
F2023	21-30	M6 x 20mm
F1113	24-29	M6 x 25mm
F2023	27-35	M6 x 25mm
F1113	32-36	M6 x 25mm
F2034	32-39	M6 x 25mm
F1114	38-44	M6 x 25mm
F1115	43-57	M8 x 35mm
F2038	47-57	M8 x 35mm
F2039	47-61	M8 x 35mm
F1117	54-70	M8 x 35mm
F2043	62-75	M8 x 35mm
F1118	71-85	M8 x 35mm
F1119	87-95	M8 x 35mm
F1120	99-110	M10 x 50mm
F1121	110-122	M10 x 50mm
F1122	116-140	M10 x 50mm
F1123	135-145	M10 x 50mm
F1124	155-180	M10 x 60mm
F1125	175-206	M10 x 60mm
F1126	188-228	M10 x 60mm
F1127	235-270	M10 x 60mm
F1129	260-285	M10 x 60mm

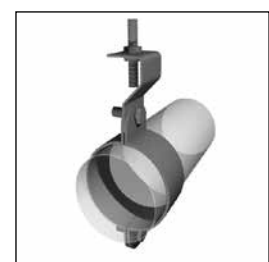
Finish: Pre-Galvanised
Fasteners: Electro-Galvanised



F2239 Series Pipe Clamps

Finish: Hot Dip Galvanised

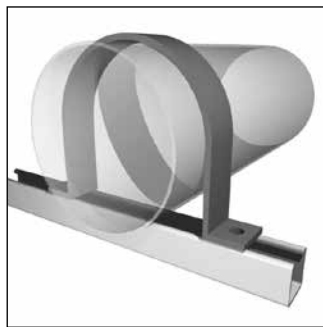
PRODUCT RANGE	PIPE DIA mm	BOLT AND NUT SET SIZE
F2239/20	60	M12 x 45mm
F2239/25	76	M12 x 45mm
F2239/30	89	M12 x 45mm
F2239/40	114	M12 x 60mm
F2239/60	166	M12 x 60mm
F2239/80	219	M12 x 70mm
F2239/100	273	M12 x 70mm
F2239/120	324	M12 x 70mm



Clamps, Fasteners and Anchors

SS Series Pipe Clamps

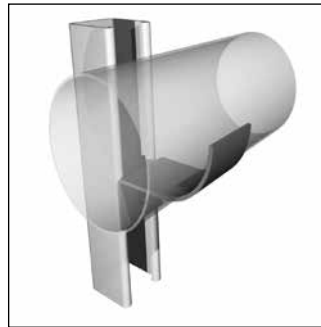
Finish: Pre-Galvanised



PRODUCT RANGE	PIPE DIA mm
SS1	21
SS1/1	27
SS1/2	34
SS1/3	42
SS1/4	48
SS1/5	60
SS1/6	76
SS1/7	89
SS1/8	101
SS1/9	114
SS1/10	142
SS1/11	173
SS1/12	219

F2246 Series Pipe Clamps

Finish: Pre-Galvanised

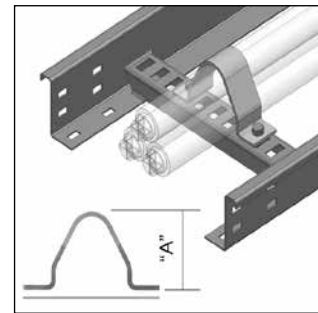


PRODUCT RANGE	PIPE DIA mm
F2246/20	60
F2246/25	76
F2246/30	89
F2246/40	114
F2246/50	140
F2246/60	166
F2246/70	191
F2246/80	216

Trefoil Clamps

Clamp Finish: Aluminium

Base Plate: Pre-Galvanised



SIZE 'A' mm	PIPE DIA mm
61	3 x Ø 30mm
74	3 x Ø 37mm
85	3 x Ø 43mm
93	3 x Ø 48mm
102	3 x Ø 53mm
122	3 x Ø 63mm

Fasteners

Finish: Cadmium Plated

QTY	FASTENERS
2	M8 x 20 HEX SET SCREW
2	M8 HEX NUT
4	M8 FLAT WASHER

F75 Series Pipe Clamps

Finish:

Pre-Galvanised



PRODUCT RANGE	PIPE DIA mm	HOLE SIZE
F75/15	21	M8/M10
F75/20	27	M8/M10
F75/25	34	M8/M10
F75/30	42	M8/M10
F75/40	48	M8/M10
F75/50	60	M8/M10
F75/60	76	M10
F75/80	89	M10
F75/100	114	M12
F75/125	140	M12
F75/150	166	M12
F75/200	219	M12

Fasteners and Anchors



HEX SET SCREW
(20, 25, 30, 35, 40,
50, 60mm)



HEX NUT



FLAT
WASHER



SPRING
WASHER



FENDER
WASHER



GUTTER BOLT
AND NUT
(12,16, 20mm)



CUP SQUARE BOLT
NUT & WASHER
(16mm)



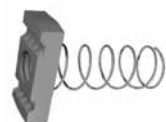
DOME HEAD SCREW
NUT & WASHER
(20mm)



CONE POINT SCREW
45mm



SQUARE NECK ROUND
HEAD BOLT & NUT
(16mm)



SPRING NUT
(LONG & SHORT)



SLEEVE ANCHOR
(HOLE SIZE:
60, 65, 70, 75mm)



NAIL IN ANCHOR
(40, 55, 80mm)



SHIELD ANCHOR



FLUORESCENT ADAPTER
F2540 BRASS EXCL. NUT



FLUORESCENT ADAPTER
F2540 NYLON & NUT



Ellis Cable Cleats



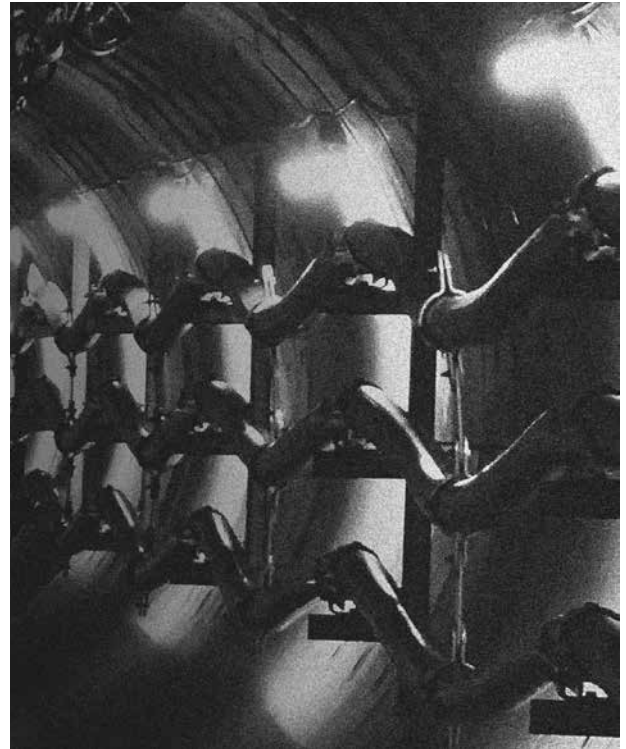
Ellis Design And Manufacture Solutions For Cabling Environments Globally

With 50 years of innovation and testing behind us, we are recognised as the world's leading supplier of safety critical electrical cable cleats. Every day, vital operations and services such as the Channel Tunnel Rail Link, nuclear power plants and oil rigs rely on our products to keep them running safely.

Holding Power is our guarantee that Ellis cable cleats will contain short-circuit forces – protecting your people, power and plant. Without fail.

Tested To Perfection

Since the birth of the company, we've been working with independent test houses to raise safety standards within the industry. We understand the science behind the appropriate standards, but we know that results from short-circuit testing are what really counts. Testing is the only way to prove that a cleat will do its job. We undertake regular testing in accordance with the international standard IEC 61914, and the results show that our products exceed industry requirements. This uncompromising quality and our 'safety first' culture, guarantee your protection. We're more than happy to make available reports and video footage from our tests.



Selection Table for Trefoil Cable Application

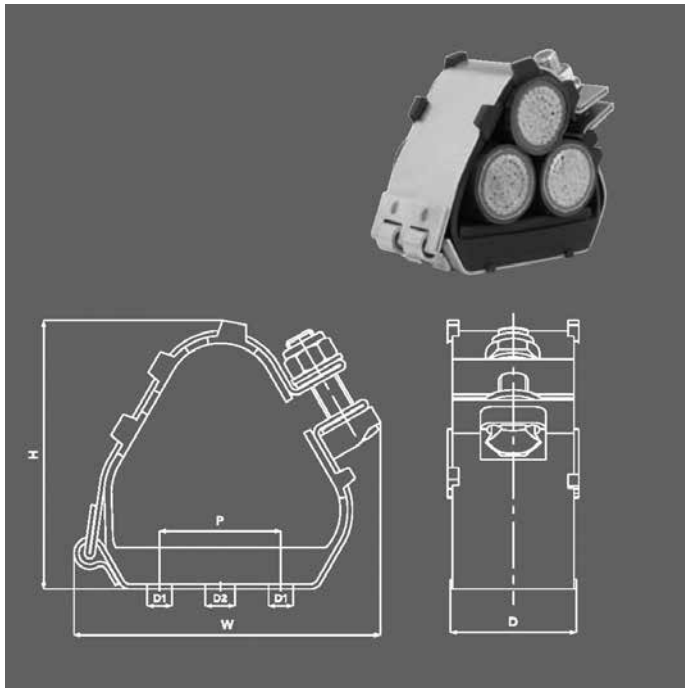
PART NO.	CABLE RANGE		DIMENSIONS mm					WEIGHT G
	MIN DIA mm	MAX DIA mm	W	H	D	P	FIXING HOLES	
ER19-23	19	23	96	83	54	25	2 x M10 + 1 x M12	425
ER23-28	23	28	96	83	54	25	2 x M10 + 1 x M12	425
ER27-32	27	32	97	88	54	25	2 x M10 + 1 x M12	440
ER30-35	30	35	99	91	54	25	2 x M10 + 1 x M12	445
ER33-38	33	38	103	95	54	25	2 x M10 + 1 x M12	460
ER36-42	36	42	124	100	54	50	2 x M10 + 1 x M12	600
ER40-46	40	46	125	106	54	50	2 x M10 + 1 x M12	605
ER44-50	44	50	130	117	54	50	2 x M10 + 1 x M12	630
ER48-55	48	55	132	121	54	50	2 x M10 + 1 x M12	640
ER51-58	51	58	136	128	54	50	2 x M10 + 1 x M12	650
ER55-62	55	62	160	135	54	75	2 x M10 + 1 x M12	810
ER59-66	59	66	163	143	54	75	2 x M10 + 1 x M12	825
ER63-70	63	70	166	151	54	75	2 x M10 + 1 x M12	850
ER67-74	67	74	169	158	54	75	2 x M10 + 1 x M12	850
ER71-78	71	78	172	165	54	75	2 x M10 + 1 x M12	890
ER74-82	74	82	177	171	54	75	2 x M10 + 1 x M12	890
ER77-85	77	85	183	177	54	75	2 x M10 + 1 x M12	905
ER82-88	82	88	191	187	54	75	2 x M10 + 1 x M12	820
ER88-96	88	96	207	203	54	75	2 x M10 + 1 x M12	890
ER96-103	96	103	221	218	54	75	2 x M10 + 1 x M12	940
ER103-111	103	111	237	235	54	75	2 x M10 + 1 x M12	950
ER111-119	111	119	253	250	54	75	2 x M10 + 1 x M12	1010
ER119-128	119	128	265	275	54	75	2 x M10 + 1 x M12	1220



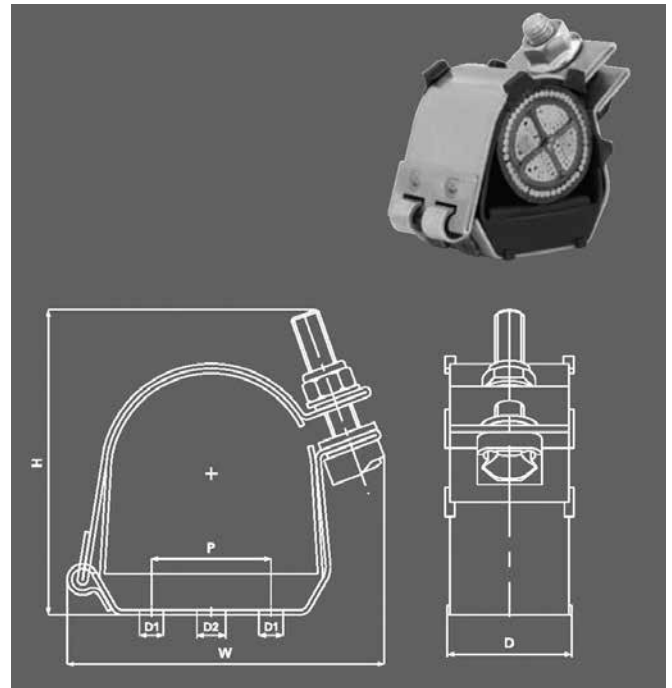
Ellis Cable Cleats



Trefoil Cable Cleat



Single Cable Cleat



Selection Table for Single Cable Application

PART NO.	CABLE RANGE		DIMENSIONS mm					WEIGHT G
	MIN DIA mm	MAX DIA mm	W	H	D	P	FIXING HOLES	
ES32-39	32	39	91	89	54	25	2 x M10 + 1 x M12	450
ES37-45	37	45	96	93	54	25	2 x M10 + 1 x M12	470
ES44-52	44	52	99	98	54	25	2 x M10 + 1 x M12	480
ES51-59	51	59	103	102	54	25	2 x M10 + 1 x M12	490
ES58-66	58	66	109	101	54	25	2 x M10 + 1 x M12	500
ES65-73	65	73	111	103	54	25	2 x M10 + 1 x M12	510
ES73-85	73	85	135	112	54	50	2 x M10 + 1 x M12	640
ES84-94	84	94	135	135	54	50	2 x M10 + 1 x M12	660
ES94-118	94	118	160	150	54	50	2 x M10 + 1 x M12	710
ES118-130	118	130	175	160	54	75	2 x M10 + 1 x M12	900
ES127-150	127	150	180	180	54	75	2 x M10 + 1 x M12	940

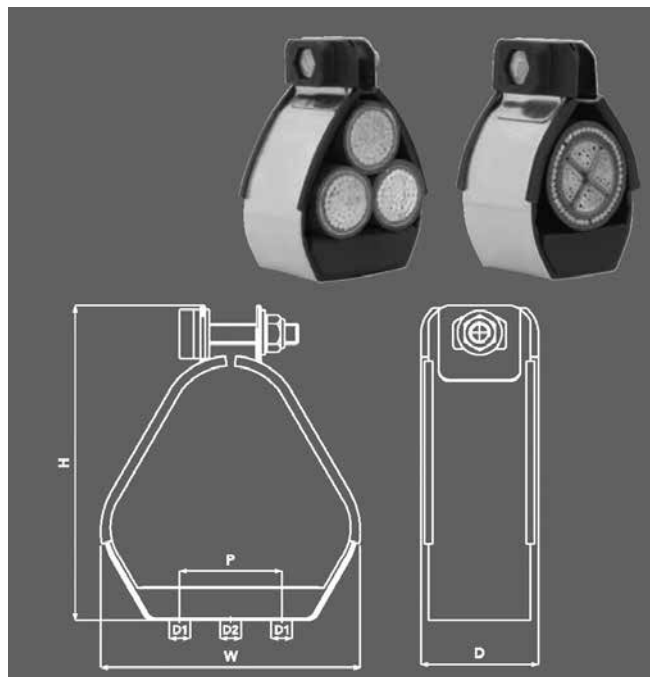
Special options: Other sizes available on request.



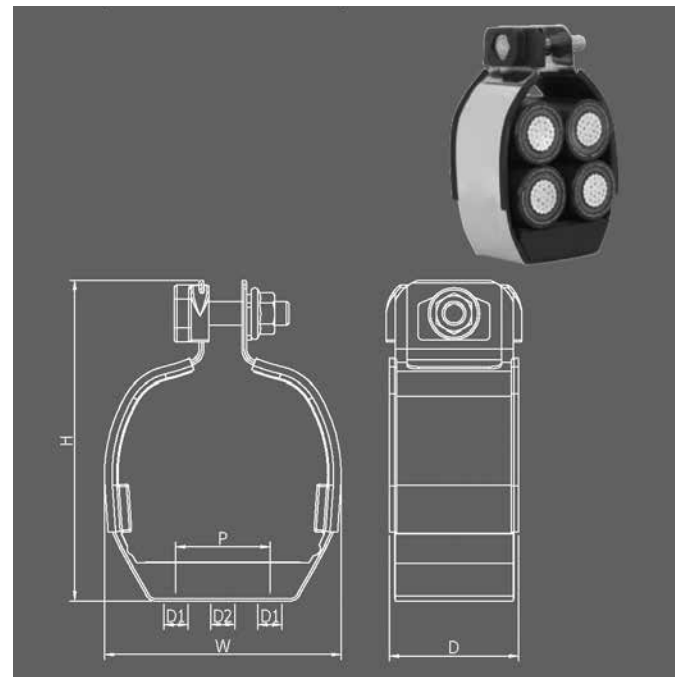
Ellis Cable Cleats



Trefoil and Single Cable Cleat



Quad Cable Cleat (Table on next page)



Selection Table for Trefoil and Single Cable Application

PART NO.	TREFOIL CABLE RANGE		SINGLE CABLE RANGE		DIMENSIONS mm					WEIGHT G
	MIN DIA mm	MAX DIA mm	MIN DIA mm	MAX DIA mm	W	H	D	P	FIXING HOLES	
VRT+00	19	24	30	42	60	93	54	n/a	1 x M10	251
VRT+01	23	28	38	50	63	98	54	n/a	1 x M10	258
VRT+02	27	32	43	58	72	106	54	n/a	1 x M10	269
VRT+03	30	35	49	64	79	112	54	n/a	1 x M10	279
VRT+04	33	38	55	70	85	118	54	n/a	1 x M10	284
VRT+05	36	42	58	75	96	125	54	n/a	1 x M10	319
VRT+06	40	46	63	84	105	133	54	n/a	1 x M10	331
VRT+07	44	50	73	90	112	140	54	n/a	1 x M10	391
VRT+08	48	55	83	100	121	149	54	n/a	1 x M10	405
VRT+09	51	58	86	104	126	154	54	n/a	1 x M10	411
VRT+10	55	62	88	110	134	162	54	50	3 x M10	442
VRT+11	59	66	90	115	143	170	54	50	3 x M10	453
VRT+12	63	70	100	125	152	177	54	50	3 x M10	460
VRT+13	67	74	107	132	161	185	54	75	3 x M10	524
VRT+14	71	78	120	145	169	192	54	75	3 x M10	536
VRT+15	74	82	125	150	176	199	54	75	3 x M10	542
VRT+16	77	85	132	153	183	205	54	75	3 x M10	544
VRT+17	81	89	136	156	190	216	54	75	3 x M10	618
VRT+18	85	93	139	159	200	225	54	75	3 x M10	628
VRT+19	89	97	142	162	200	235	54	75	3 x M10	637
VRT+20	93	101	150	170	215	240	54	75	3 x M10	646



Ellis Cable Cleats

Selection Table For Quad Cable Application

PART NO.	CABLE RANGE		DIMENSIONS mm					WEIGHT G	
	MIN DIA mm	MAX DIA mm	W	H	D	P	FIXING HOLES		
VRQ+01	23	25	68	110	54	n/a	1	x M10	284
VRQ+02	26	27	70	113	54	n/a	1	x M10	286
VRQ+03	28	31	78	128	54	n/a	1	x M10	318
VRQ+3A	31	35	90	138	54	n/a	1	x M10	350
VRQ+04	35	42	103	148	54	n/a	1	x M10	378
VRQ+05	43	47	120	165	54	n/a	1	x M10	452
VRQ+06	48	50	121	170	54	n/a	1	x M10	467
VRQ+07	51	57	140	190	54	50	3	x M10	486
VRQ+08	58	63	150	200	54	50	3	x M10	499
VRQ+09	64	70	170	218	54	75	3	x M10	581

Bespoke Solutions and Product

We understand that different markets and varying situations demand different solutions. And as problem solvers, we thrive on new challenges. So when our standard product range isn't quite what you need, we can still help.

Most Requested

Our customers often require help with the following:

- Mounting products onto a non-standard structure.
- Manufacturing products in a non-standard format or size.
- Specialist surface treatments, such as painting, plating, or galvanizing.
- Developing a completely bespoke product.

Specialist Application

Just like our standard products, our bespoke solutions are designed to withstand the toughest conditions, and can be made for specialist environments such as:

- High shock load
- High or low temperature
- A large temperature range
- Tunnel (including railway)
- Unusual or aggressive corrosion
- Fire

We are well placed to meet these, and many other, requirements.



Standard Emperor products modified to suit 2, 4 and 6 cable applications.



Standard Emperor product fitted with a universal base clamp designed to retrofit to three different undrilled ladder rung designs.



Side Fix Vulcan is available as a special, with a side fixing for use when height is a limiting factor.